

# APF 1240

## FORWARD MOVING VIBRATORY PLATE



### VARIED ENGINE OPTIONS

Choose your engine and fuel source with the APF 1240. The compactor features a choice of a Honda engine that runs on petrol or a Yanmar engine for those who prefer diesel. The machine works well in many applications and is commonly utilised on small soil and asphalt jobsites. A 10-litre water tank, large for this particular machine class, is an option that many contractors appreciate.

### EFFECTIVE COMPACTION TOOL

- Powerful petrol or diesel engine.
- Engine power transmitted to the exciter system through a centrifugal clutch and V belt.
- Optional water sprinkler system for work on bituminous surfaces.

### LIMITED MAINTENANCE

- Well-protected, robust centrifugal clutch with wear-resistant V belt.
- Service-friendly exciter unit with long lifetime.
- Wear-resistant, self-cleaning base plate.

### READY TO RENT

- Low-cost upkeep.
- Good match for many applications.
- Easy for new users to operate.

### INNOVATIVE HANDLE

- Vibration-isolated to reduce stress on the operator
- Foldable and removable, crucial attributes when working in confined areas or during transport.

### APPLICATIONS

- Compaction in confined areas
- Earthwork
- Asphalt and paving applications
- Light to medium patchwork
- Pipeline and trench construction
- Landscaping and gardening

TECHNICAL SPECIFICATIONS  
APF 1240 FORWARD MOVING VIBRATORY PLATE

**WEIGHT & DIMENSIONS**

	PETROL	DIESEL
MACHINE WEIGHT	69 kg (152 lb)	85 kg (187 lb)
A BASE PLATE LENGTH	371 mm (14.6 in)	371 mm (14.6 in)
B MACHINE LENGTH	540 mm (21.3 in)	540 mm (21.3 in)
C MACHINE HEIGHT	514 mm (20.2 in)	587 mm (23.1 in)
D WITH HANDLE (WORK)	1000 mm (39.4 in)	1000 mm (39.4 in)
E WITH HANDLE (TRANSPORT)	1100 mm (43.3 in)	1100 mm (43.3 in)
F MACHINE WIDTH	400 mm (15.7 in)	400 mm (15.7 in)

**ENGINE**

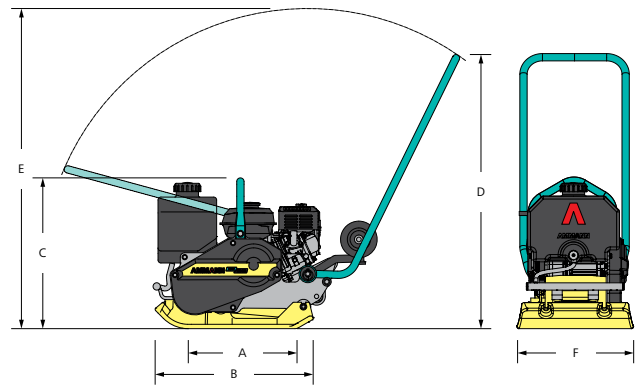
ENGINE	Honda GX 120	Yanmar L 48 AE
FUEL	Petrol	Diesel
ENGINE OUTPUT	4 HP (2.9 kW)	4.3 HP (3.2 kW)
AT RPM	3600	3200

**COMPACTION FORCES**

MAX. VIBRATION FREQUENCY	98 Hz (5880 vpm)	98 Hz (5880 vpm)
MAX. CENTRIFUGAL FORCE	12 kN (2.7 lbf)	12 kN (2.7 lbf)
WORKING SURFACE	0.14 m <sup>2</sup> (1.51 ft <sup>2</sup> )	0.14 m <sup>2</sup> (1.51 ft <sup>2</sup> )
MAX. COMPACTION DEPTH (DEPENDING ON GROUND CONDITIONS)	15 cm (5.9 in)	18 cm (7.1 in)

**MISCELLANEOUS**

SPEED	20 m/min (12 mph)	20 m/min (12 mph)
GRADEABILITY	30 %	30 %
MAX. INCLINE TO ALL SIDES	20°	20°



**STANDARD**

- Standard vibration isolated guide handle
- Sturdy protection frame with central lifting point
- Powerful and reliable petrol or diesel engine
- Service friendly exciter unit with expanded life expectancy
- Well protected, sturdy centrifugal clutch and V-Belt

**OPTIONAL EQUIPMENT**

- Permanently installed transport wheels
- Vulcolan mat for application on paving stones
- Corrosion free water tank and sprinkler system for application on bituminous surfaces
- Ammann Low-Vibration Handle for operator comfort and limited vibration on machine operator
- 3 year extended Warranty Program