



Machines

## Tandem Vibrating Roller ARP 35

[www.ammann-group.com](http://www.ammann-group.com)



**Tandem Vibrating Roller**  
ARP 35





## Tandem Vibrating Roller

The roller of this class is ideal for small and medium size asphalt job sites where the pivot-steering guarantees a good manoeuvrability and flexibility for different applications.



### Compaction performance

asphalt mixtures up to 120 mm

mixed soils up to 200 mm

sand/gravel up to 300 mm

### Applications

building local roads

cycle paths

pavements

parking areas and garage drive-ways

ground building industry (small industrial areas)

The ARP 35 Roller is a tandem vibratory-type roller with rigid frame and two smooth steel drums. Both drums are hydrostatic driven and vibrating. The concept of the frame allows compacting close to walls and elevated curbs on both sides of the machine. Convenient for work within constrained areas due to its compact dimensions and small turning radius. Operator's position provides perfect control of both edges of the drums.

## Benefits:



Flexible working width  
1100 – 1924 mm



Sliding & suspended seating with 2  
drive levers



Road lighting & foldable scrapers



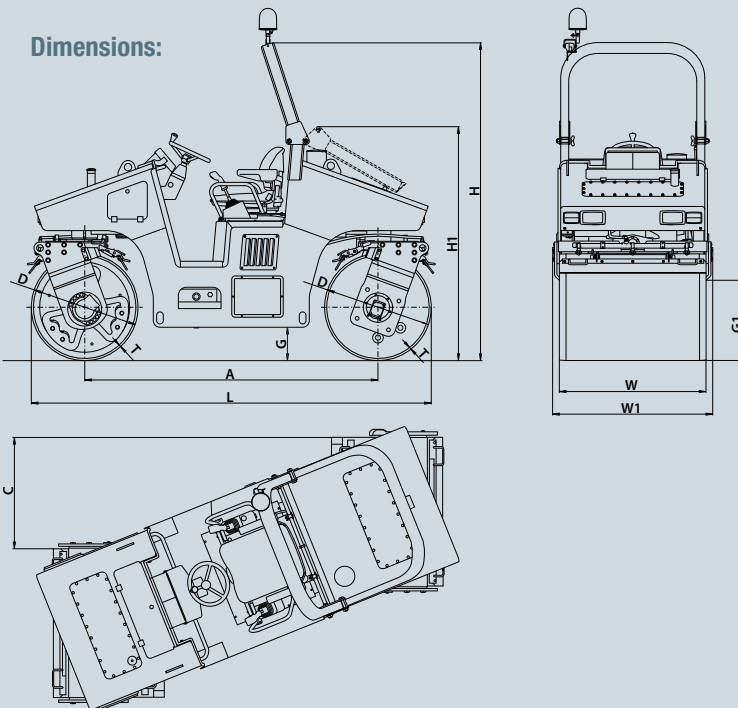
Simple dashboard layout



Reliable & easy to maintain



## Dimensions:



| A    | C   | D   | G   | H    | H1   | L    | T  | W    | W1   |
|------|-----|-----|-----|------|------|------|----|------|------|
| 2200 | 824 | 800 | 250 | 2387 | 1755 | 3000 | 15 | 1100 | 1198 |

Dimensions in mm.

## Standard

- CE conformity with folding ROPS
- Two drive levers
- Sliding driver's seat
- Both drums vibrating
- Working lights
- Vibration – automatic
- Road lifting
- Sprinkler-system with timer
- Foldable scrapers

## Optional

- Back-up alarm
- Warning beacon
- Slow moving vehicle (SMV) sign
- Tool kit
- Customer color
- Fire extinguisher
- Bio degradable oil
- Filters for the first 500 h
- Filters for the first 1000 h





## Technical specifications

### ARP 35

|  |                  |  |
|--|------------------|--|
| <b>Weight</b>  |                  |  |
| Operating weight CECE with platform, ROPS  | kg               | 3200   |
| Static linear load – front drum  | kg/cm            | 14,5   |
| Static linear load – rear drum   | kg/cm            | 14,5   |
| <b>Driving characteristics</b>   |                  |  |
| Maximum transport speed  | km/h             | 10   |
| Climbing ability without vibration   | %                | 35   |
| Climbing ability with vibration  | %                | 30   |
| Turning radius inner (edge)  | mm               | 2390   |
| Turning radius outer (contour)   | mm               | 3600   |
| Type of drive  | -                | Hydrostatic                                      |
| Oscillation angle  | °                | ± 6  |
| Angle of steering  | °                | ± 22   |
| <b>Engine</b>  |                  |  |
| Manufacturer   | -                | Deutz  |
| Type   | -                | D2011 L03i                                       |
| Power  | kW               | 36   |
| Engines complies with emission regulations   | -                | 97/68/EU Level 3, EPA/CARB 40 CFR Part 89 Tier 3 |
| <b>Brakes</b>  |                  |  |
| Operating  | -                | Hydrostatic                                      |
| Parking  | -                | Mechanical multiple-disc                         |
| Emergency  | -                | Mechanical multiple-disc                         |
| <b>Vibration</b>   |                  |  |
| Amplitude  | mm               | 0,47   |
| Low frequency  | Hz               | 53   |
| High frequency   | Hz               | 62   |
| Low centrifugal force  | kN               | 28   |
| High centrifugal force   | kN               | 38,3   |
| <b>Watering</b>  |                  |  |
| Type of sprinkling system  | -                | Pressurized                                      |
| Number of pumps  | -                | 1  |
| Number of filtrations  | -                | 3  |
| <b>Fluid capacities</b>  |                  |  |
| Fuel   | l                | 80   |
| Water sprinkling system  | l                | 290  |
| <b>Wiring</b>  |                  |  |
| Voltage  | V                | 12   |
| Battery capacity   | Ah               | 66   |
| <b>Noise and vibration emissions</b>   |                  |  |
| Guaranteed sound power level A   | dB               | 106  |
| Highest weighted effective value of acceleration of vibrations transmitted to the whole body | m/s <sup>2</sup> | <0,5   |
| Total value of acceleration of vibrations transmitted to hands                               | m/s <sup>2</sup> | <2,5   |
| Level of sound pressure affecting operator (platform)  | dB               | 90   |

**Ammann distribution companies:**

**Germany:**

Ammann Verdichtung GmbH  
D-53773 Hennef  
Tel +49 22 42 880 20  
Fax +49 22 42 88 02 59  
info.avd@ammann-group.com

**France:**

Ammann France SAS  
F-94046 Créteil/Cedex  
Tel +33 1 45 17 08 88  
Fax +33 1 45 17 08 90  
info.afr@ammann-group.com

**United Kingdom:**

Ammann Equipment Ltd.  
Bearley Stratford upon Avon  
GB-Warwickshire, CV37 8XY  
Tel +44 1789 414 525  
Fax +44 1789 414 495  
info.ael@ammann-group.com

**USA:**

Ammann America Inc.  
Ponte Vedra, Florida 32082, USA  
Tel +1 904 543 1691  
Fax +1 888 266 1210  
info@ammann-america.com

**Poland:**

Ammann Polska sp.z.o.o.  
02-230 Warszawa  
Tel +48 22 33 77 900  
Fax +48 22 33 77 929  
info.aep@ammann-group.com

**Russia:**

Ammann Russland o.o.o.  
RU-129343 Moskau  
Tel +7 495 933 35 61  
Fax +7 495 933 35 67  
info.aru@ammann-group.com

**Ammann manufacturing companies:**

**Switzerland:**

Ammann Schweiz AG  
CH-4901 Langenthal  
Tel +41 62 916 61 61  
Fax +41 62 916 64 03  
info.aag@ammann-group.com

**Germany:**

Ammann Verdichtung GmbH  
D-53773 Hennef  
Tel +49 22 42 880 20  
Fax +49 22 42 88 02 59  
info.avd@ammann-group.com

**Czech Republic:**

Ammann Czech Republic a.s.  
CZ-54901 Nové Město nad Metují  
Tel +420 491 476 111  
Fax +420 491 470 405  
info.acz@ammann-group.com

